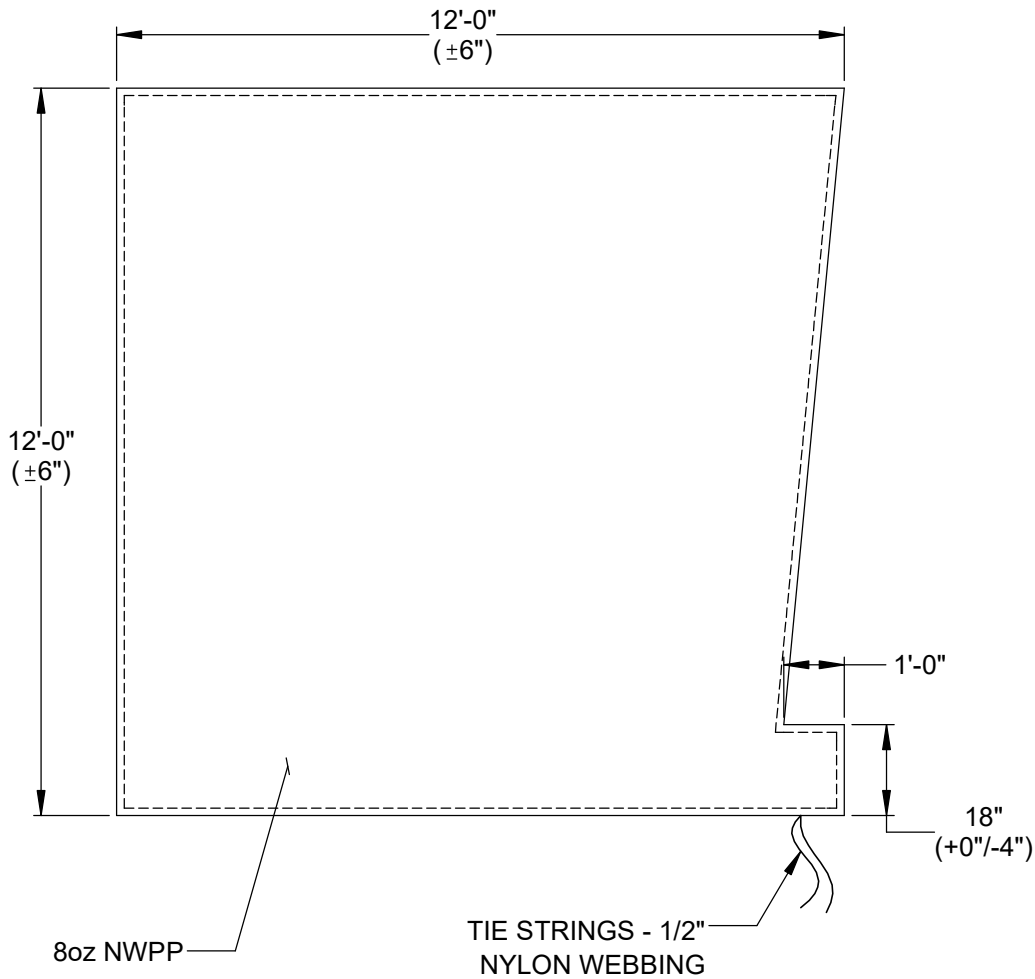


SB1212-8

THIS DOCUMENT CONTAINS PROPRIETARY DATA OF PACTEC, INC. NO DISCLOSURE, REPRODUCTION, OR USE OF ANY PART THEREOF MAY BE MADE WITHOUT WRITTEN PERMISSION

MTL'S:

- 8oz NWPP
- 1/2" NYLON WEBBING - TIE STRINGS
- 6000 DENIER THREAD - SEAMS



NOTE:
 - SPOUT DIMENSION IS LAY FLAT.
 SPOUT DESIGNED TO FIT UP TO 8" ϕ TUBING.

FINISHED



1(800)-272-2832

Customer Approval
 Signature _____ Date _____

Contact Information
 Name _____ Phone # _____

Proprietary And Confidential

Customer Name: _____		
PacTec Item Code: SB1212-8		Drawn By: ALR
Estimated Tare Weight: 16 lb		
Date Drawn: December 14, 2022		
Revision #: 0.0	Internal Design Approval: N/A	
Scale: NONE	Sheet Size: A4	Sheet: 1 OF 1